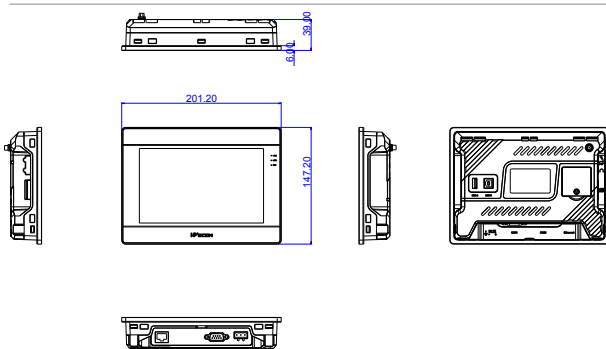


Model	V-Net Functions								Open Cloud Mode	MQTT	Lua Script	LAN Monitoring	4G / WIFI
	Realtime Data	Alarm Data	History Data	APP & Remote Control	Remote Update HMI	WVPN	Cloud SCADA	Pass-through					
PI3070ig	X	X	X	✓	✓	✓	X	Serial	✓	✓	✓	✓	X
PI3070ig (4G)	X	X	X	✓	✓	✓	X	Serial	✓	✓	✓	✓	4G
PI3070ig (WIFI)	X	X	X	✓	✓	✓	X	Serial	✓	✓	✓	✓	WIFI
PI3070ig-C	100	20	50	✓	✓	✓	✓	Serial	✓	✓	✓	✓	X
PI3070ig-C(4G)	100	20	50	✓	✓	✓	✓	Serial	✓	✓	✓	✓	4G
PI3070ig-C (WIFI)	100	20	50	✓	✓	✓	✓	Serial	✓	✓	✓	✓	WIFI

## SPECIFICATIONS

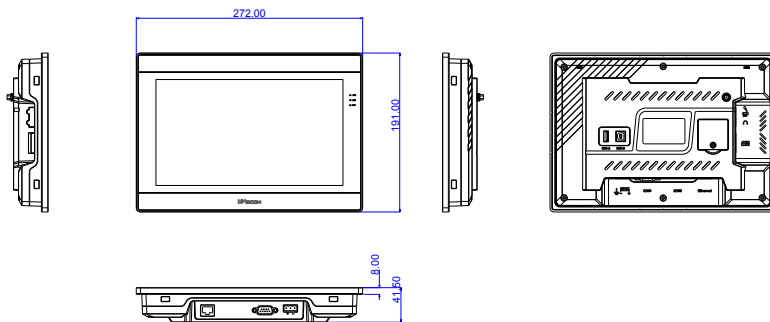
Main	OS	<b>Linux 4.4.0 QT based</b>
Display	Processor	Cortex A35 1.2GHz
	Size	7"
	Screen	TFT
	Resolution	800*480
	Color	16,000k colors
	Brightness (cd/m2)	250
	Backlight	LED
	Backlight Lifetime	50,000 hours
Storage	Touch Panel	High precision four-wire resistive
	Memory	128 MB
	Flash	128 MB
	SD Card Slot	YES
RTC	USB Port	USB2.0 Host + USB2.0 Client
	Real-time clock	--
I/O Port	Calendar	Yes
	COM1	CN1:RS422/RS485 CN2:RS232 CN3:RS485
	COM2	--
	COM3	--
	Ethernet	x1
	CANopen	--
	Power	Rated Power
Power Voltage		DC 24V
Input range		DC 12 ~ 28V
Enclosure	Shell Color	Grey
	Shell Material	Plastic+ABS(Polycarbonate)
	Overall Size (mm)	201.2W*147.2H*39.0D
	Mounting Size (mm)	192.0W*138.0H
	Mounting Method	Panel Mount
	Weight (Kg)	0.52
Environment	Working Temperature	-20 ~ 70°C
	Storage Temperature	-10 ~ 55°C
	Humidity	10 ~ 90%RH (Non-condensing)
	Vibration Resistance	10 ~ 25 Hz (X, Y, Z direction 2G/30 minutes)
Software	Cooling	Air Cooling
	Programming	--
	Remote Access	YES
	Email Alarm	--
	IP Camera	--
	Audio Output	--
	Video Player	--
Data Tool	Yes	
Certificates	IP Code	IP65 (Front panel)
	CE	CE Marked
	FCC	FCC Class A



Model	V-Net Functions								Open Cloud Mode	MQTT	Lua Script	LAN Monitoring	4G / WIFI
	Realtime Data	Alarm Data	History Data	APP & Remote Control	Remote Update HMI	WVPN	Cloud SCADA	Pass-through					
PI3102ig	X	X	X	✓	✓	✓	X	Serial	✓	✓	✓	✓	X
PI3102ig (4G)	X	X	X	✓	✓	✓	X	Serial	✓	✓	✓	✓	4G
PI3102ig (WIFI)	X	X	X	✓	✓	✓	X	Serial	✓	✓	✓	✓	WIFI
PI3102ig-C	100	20	50	✓	✓	✓	✓	Serial	✓	✓	✓	✓	X
PI3102ig-C(4G)	100	20	50	✓	✓	✓	✓	Serial	✓	✓	✓	✓	4G
PI3102ig-C(WIFI)	100	20	50	✓	✓	✓	✓	Serial	✓	✓	✓	✓	WIFI

## SPECIFICATIONS

Main	OS	Linux 4.4.0 QT based	
	Processor	Cortex A35 1.2GHz	
Display	Size	10.2"	
	Screen	TFT	
	Resolution	1024*600	
	Color	16,000k colors	
	Brightness (cd/m2)	350	
	Backlight	LED	
	Backlight Lifetime	50,000 hours	
Storage	Touch Panel	High precision four-wire resistive	
	Memory	128 MB	
	Flash	128 MB	
	SD Card Slot	YES	
	USB Port	USB2.0 Host + USB2.0 Client	
RTC	Real-time clock	--	
	Calendar	Yes	
I/O Port	COM1	CN1:RS422/RS485 CN2:RS232 CN3:RS485	
	COM2	--	
	COM3	--	
	Ethernet	x1	
	CANopen	--	
	Power	Rated Power	< 10W
		Power Voltage	DC 24V
Input range		DC 12 ~ 28V	
Shell Color		Grey	
Enclosure	Shell Material	Plastic+ABS(Polycarbonate)	
	Overall Size (mm)	272.0W*191.0H*41.5D	
	Mounting Size (mm)	260.0W*179.0H	
	Mounting Method	Panel Mount	
	Weight (Kg)	1.02	
	Environment	Working Temperature	-20 ~ 70°C
Storage Temperature		-10 ~ 55°C	
Humidity		10 ~ 90%RH (Non-condensing)	
Vibration Resistance		10 ~ 25 Hz (X, Y, Z direction 2G/30 minutes)	
Cooling		Air Cooling	
Software	Programming	--	
	Remote Access	YES	
	Email Alarm	--	
	IP Camera	--	
	Audio Output	--	
	Video Player	--	
Certificates	Data Tool	Yes	
	IP Code	IP65 (Front panel)	
	CE	CE Marked	
	FCC	FCC Class A	



Model	V-Net Functions								Open Cloud Mode	MQTT	Lua Script	LAN Monitoring	4G / WIFI
	Realtime Data	Alarm Data	History Data	APP & Remote Control	Remote Update HMI	WVPN	Cloud SCADA	Pass-through					
PI8150ig	X	X	X	✓	✓	✓	X	Serial	✓	✓	✓	✓	X
PI8150ig-C	300	200	100	✓	✓	✓	✓	Serial	✓	✓	✓	✓	X
PI8150ig(WG)	X	X	X	✓	✓	✓	X	Serial	✓	✓	✓	✓	Both
PI8150ig-C(WG)	300	200	100	✓	✓	✓	✓	Serial	✓	✓	✓	✓	Both

## SPECIFICATIONS

Main	OS	<b>Linux 4.4.0 QT based</b>	
	Processor	Cortex A35 1.2GHz	
Display	Size	15"	
	Screen	TFT	
	Resolution	1920*1080	
	Color	260k colors	
	Brightness (cd/m2)	250	
	Backlight	LED	
	Backlight Lifetime	50,000 hours	
Storage	Touch Panel	High precision four-wire resistive	
	Memory	512 MB	
	Flash	4G	
	SD Card Slot	YES	
	USB Port	USB2.0 Host + USB2.0 Client	
RTC	Real-time clock	--	
	Calendar	Yes	
I/O Port	COM1	CN1:RS422/RS485 CN2:RS232 CN3:RS485	
	COM2	--	
	COM3	--	
	Ethernet	x1	
	CANopen	--	
	Power	Rated Power	< 15W
		Power Voltage	DC 24V
Input range		DC 12 ~ 28V	
Shell Color		Silvery	
Enclosure	Shell Material	Aluminum + Metal + ABS(Polycarbonate)	
	Overall Size (mm)	403.0W*253.0H*35.2D	
	Mounting Size (mm)	394.0W*244.0H	
	Mounting Method	Panel Mount	
	Weight (Kg)	2.46	
	Environment	Working Temperature	-20 ~ 60°C
Storage Temperature		0 ~ 50°C	
Humidity		10 ~ 90%RH (Non-condensing)	
Vibration Resistance		10 ~ 25 Hz (X, Y, Z direction 2G/30 minutes)	
Cooling		Air Cooling	
Software	Programming	--	
	Remote Access	YES	
	Email Alarm	--	
	IP Camera	--	
	Audio Output	--	
	Video Player	--	
	Data Tool	Yes	
Certificates	IP Code	IP65 (Front panel)	
	CE	CE Marked	
	FCC	FCC Class A	

